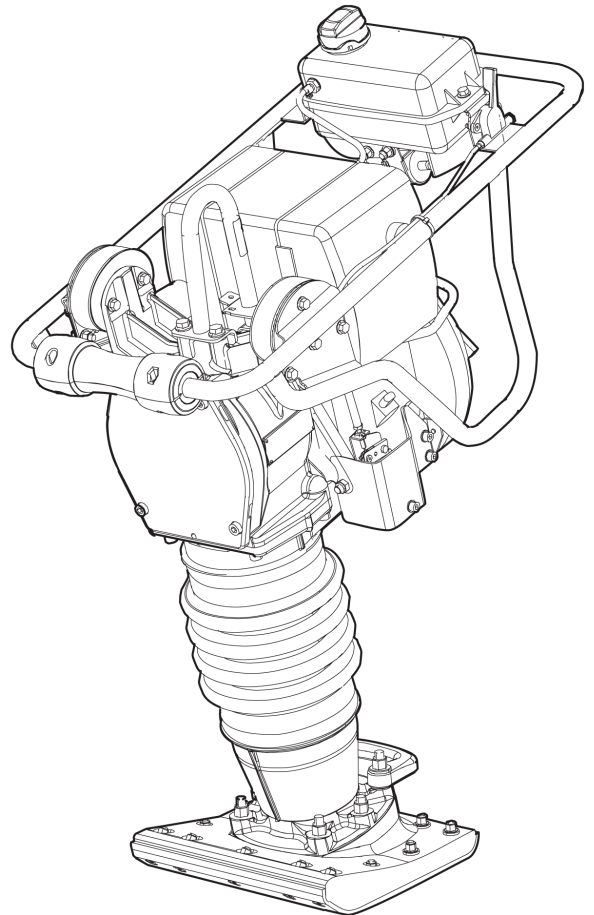


Spare parts list

Rammer

| | Valid from serial number |
|------------------------|--------------------------|
| LT 800 280 mm (11 in.) | 78002265 |
| LT 800 330 mm (13 in.) | 78002265 |
| LT 800 280 mm (11 in.) | BGF0000001 |
| LT 800 330 mm (13 in.) | BGF0000001 |



Contents

| | |
|--------------------------------------|----|
| General information..... | 5 |
| Spare parts list..... | 6 |
| Handle..... | 6 |
| Transmission..... | 8 |
| Spring unit..... | 10 |
| Foot 280 mm (11 in.)..... | 12 |
| Foot 330 mm (13 in.)..... | 14 |
| Extended foot..... | 16 |
| Engine installation..... | 18 |
| Labels..... | 20 |
| Kits..... | 22 |
| One year service kit..... | 22 |
| Shock absorber repair kit..... | 22 |
| Transmission repair kit..... | 22 |
| Spring unit repair kit..... | 23 |
| Foot 280 mm (11 in.) repair kit..... | 23 |
| Foot 330 mm (13 in.) repair kit..... | 24 |
| Silent foot 280 mm (11 in.) kit..... | 24 |
| Extended foot kit..... | 25 |

General information

This spare parts list applies to the following:

| Part number | Description |
|--------------|-------------------------------|
| 3382 0000 50 | Rammer LT 800 280 mm (11 in.) |
| 3382 0000 51 | Rammer LT 800 330 mm (13 in.) |

Use only authorized parts. Any damage or malfunction caused by the use of unauthorized parts is not covered by Warranty or Product Liability. Any unauthorized use or copying of the contents or any part thereof is prohibited. This applies in particular to trademarks, model denominations, part numbers, and drawings.

Instructions for use

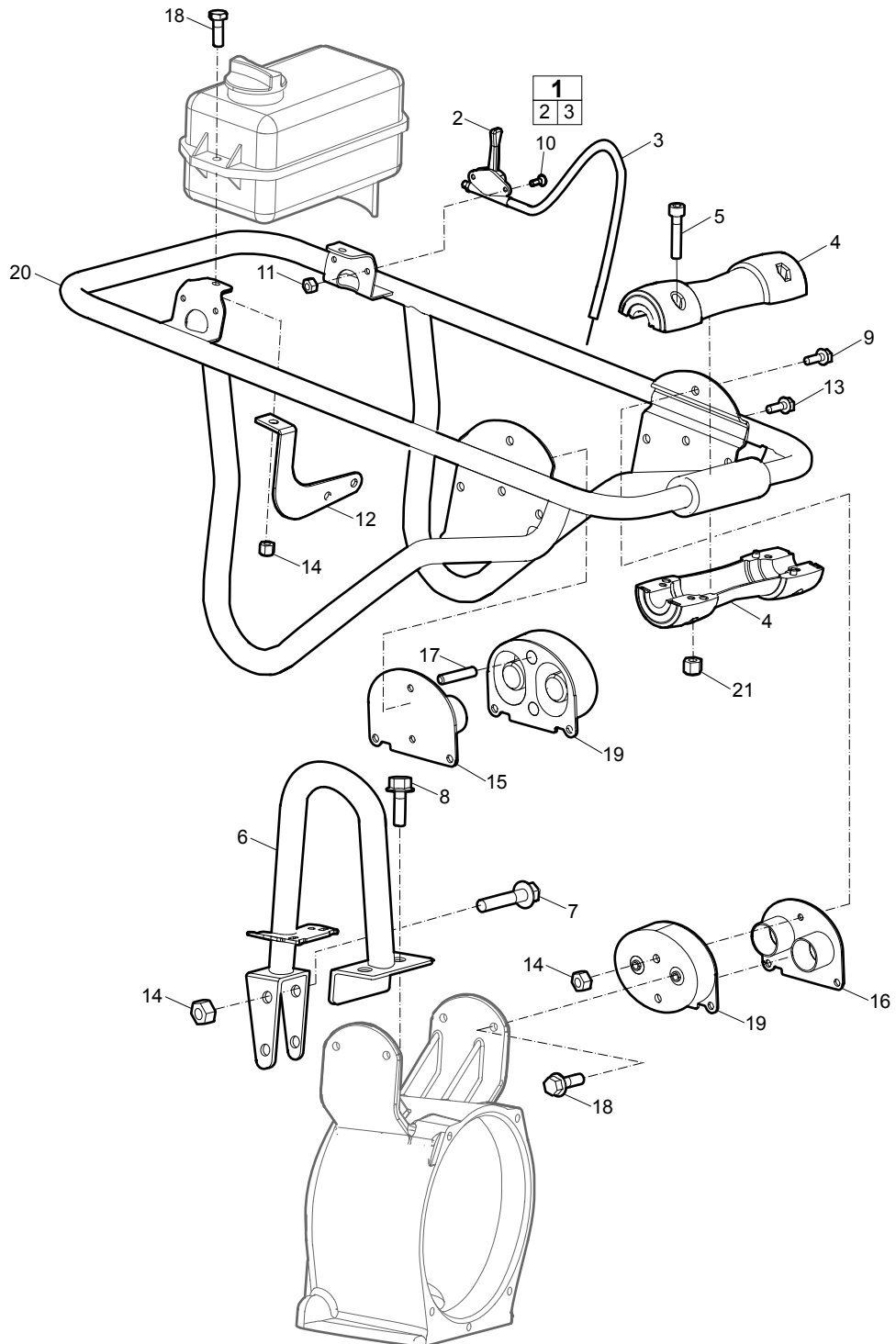
This spare parts list contains no safety regulations and is merely intended to assist in the ordering of spare parts.

For information about operating, servicing, or repairing, the relevant Safety and operating instructions must be consulted at all costs.

Please observe the safety instructions listed in the relevant Safety and operating instructions!

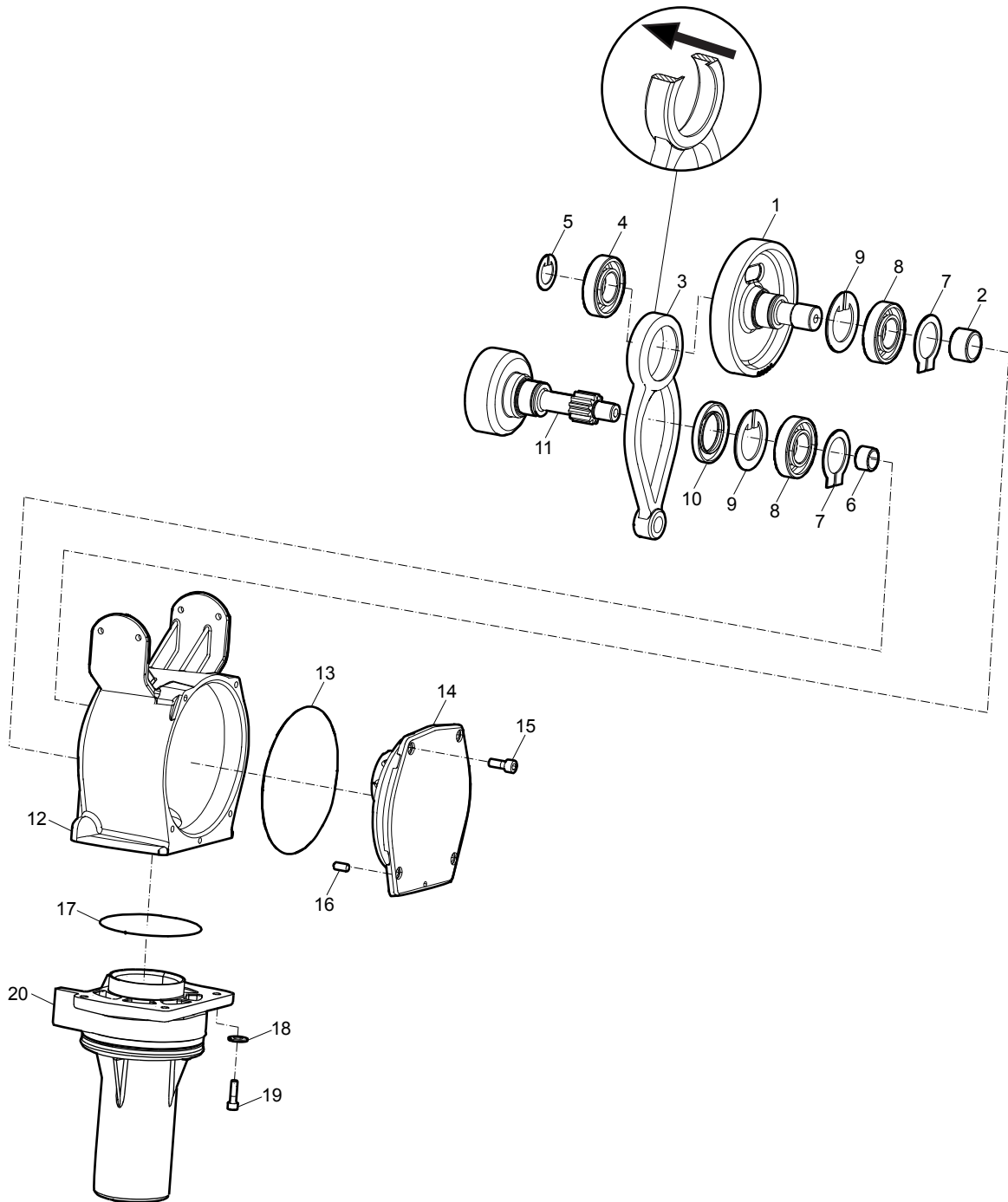
Spare parts list

Handle



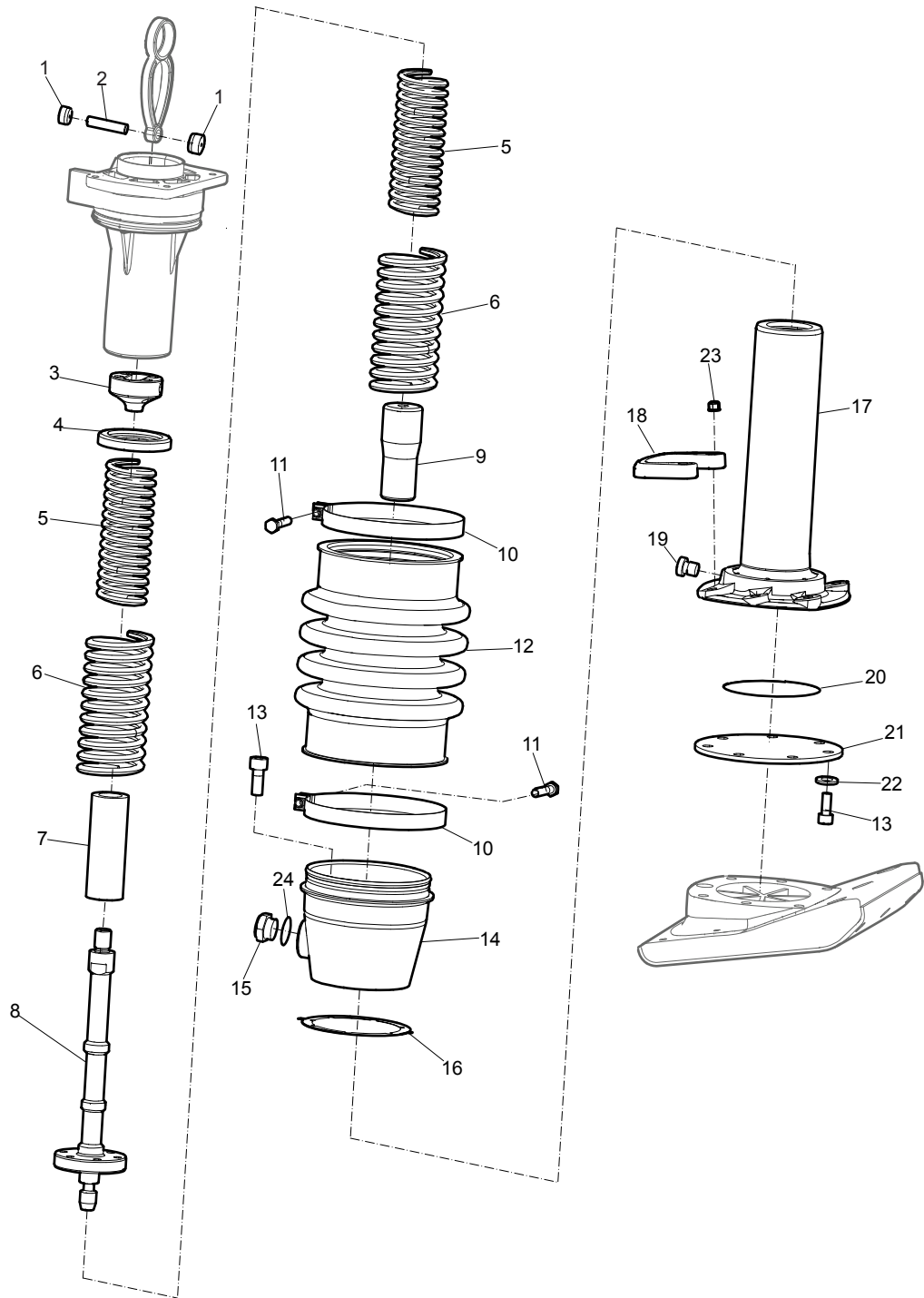
| No. | Description | Remark | Quantity | Part number |
|--------|----------------------------|---------------------|----------|--------------|
| 1(2-3) | Throttle control, complete | | 1 | 4700 3954 20 |
| 2 | Handle | | 1 | 4812 1552 79 |
| 3 | Throttle cable | | 1 | 4812 1552 80 |
| 4 | Roller | | 2 | 4700 3844 96 |
| 5 | Screw | M6 x 30 mm 8.8 A2K | 4 | - |
| 6 | Lifting lug | | 1 | 3382 0110 76 |
| 7 | Screw | M8 x 50 mm 8.8 A2K | 2 | - |
| 8 | Screw | M10 x 30 mm 8.8 A3K | 2 | - |
| 9 | Screw | M8 x 20 mm 8.8 A2K | 4 | - |
| 10 | Screw | M5 x 18 mm 8.8 A2K | 2 | - |
| 11 | Nut | M5 A2K | 2 | - |
| 12 | Bracket | | 1 | 4700 3904 62 |
| 13 | Screw | M8 x 25 mm 8.8 A2K | 4 | - |
| 14 | Nut | M8 x 1.25 mm A2K | 8 | - |
| 15 | Angle stop | Right | 1 | 4700 3867 87 |
| 16 | Angle stop | Left | 1 | 4700 3867 86 |
| 17 | Cylindric pin | | 4 | 4700 7913 23 |
| 18 | Screw | M8 x 30 mm 8.8 A2K | 6 | - |
| 19 | Shock absorber | | 2 | 4700 3867 85 |
| 20 | Handle | | 1 | 3382 0105 41 |
| 21 | Nut | M6 ISO7040 | 4 | - |

Transmission



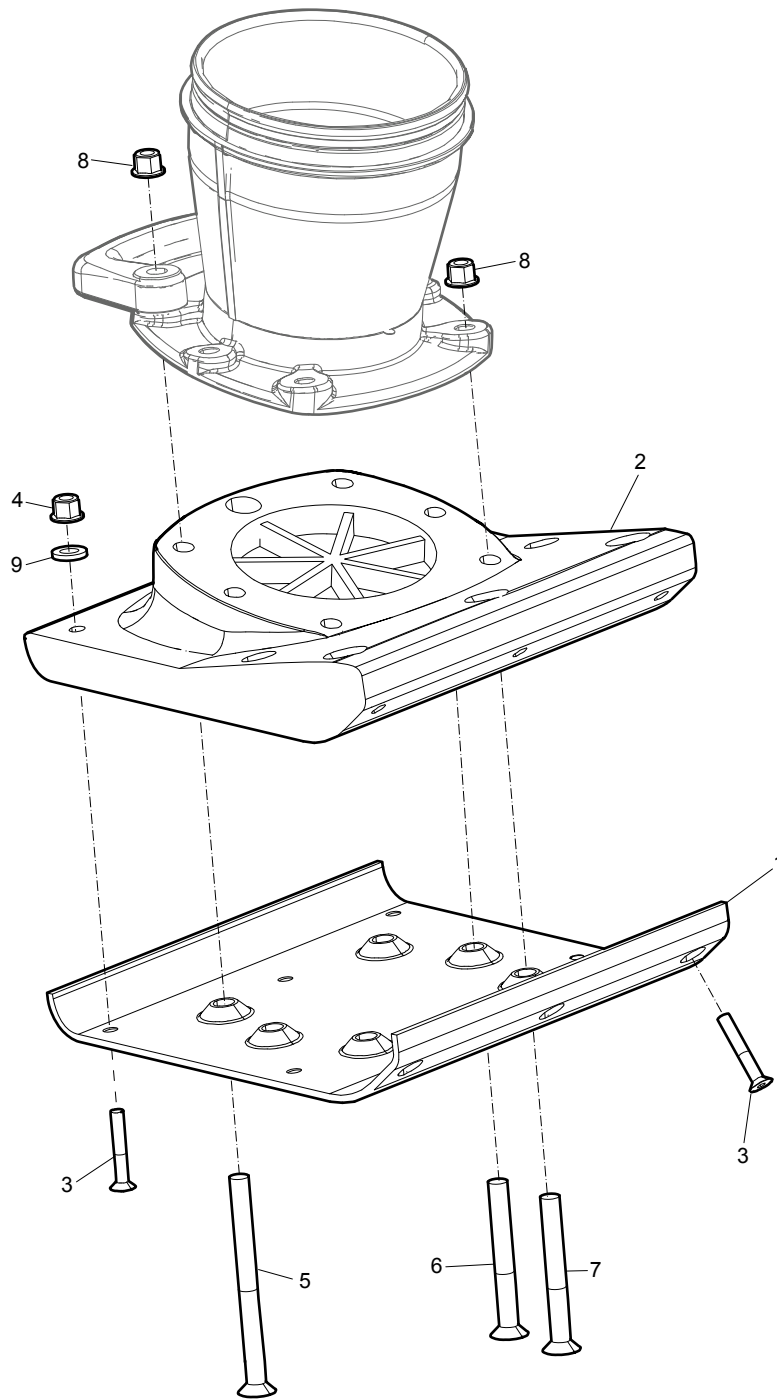
| No. | Description | Remark | Quantity | Part number |
|-----|----------------|---|----------|--------------|
| 1 | Gear wheel | | 1 | 4700 3809 06 |
| 2 | Needle bearing | | 1 | 4700 9049 50 |
| 3 | Connecting rod | | 1 | 4700 3809 20 |
| 4 | Ball bearing | | 1 | 4700 1110 78 |
| 5 | Retaining ring | | 1 | 4700 1500 09 |
| 6 | Needle bearing | | 1 | 4700 9049 49 |
| 7 | Retaining ring | | 2 | 4700 1500 14 |
| 8 | Bearing | | 2 | 4700 9035 20 |
| 9 | Retaining ring | | 2 | 4700 1510 25 |
| 10 | Sealing | | 1 | 4700 9049 52 |
| 11 | Shaft | | 1 | 4700 3814 77 |
| 12 | Crankcase | | 1 | 4700 3884 03 |
| 13 | O-ring | 210 x 3 mm 8.27 x 0.12 in. (70 shore) | 1 | 4700 1601 06 |
| 14 | Cover | | 1 | 4700 3773 32 |
| 15 | Screw | M10 x 25 mm 8.8 A3K | 4 | - |
| 16 | Pin | | 1 | 4700 6280 06 |
| 17 | O-ring | 104.5 x 3 mm 4.11 x 0.12 in. (70 shore) | 1 | 4700 1600 35 |
| 18 | Washer | 10.5 x 22 x 2 mm 0.41 x 0.87 x 0.08 in. 300 HV | 4 | - |
| 19 | Screw | M10 x 35 mm 8.8 A3K | 4 | - |
| 20 | Outer tube | | 1 | 4700 3884 07 |

Spring unit



| No. | Description | Remark | Quantity | Part number |
|-----|-----------------|--|----------|--------------|
| 1 | Plug | | 2 | 4700 3814 82 |
| 2 | Piston bolt | | 1 | 4700 3814 79 |
| 3 | Piston rod head | | 1 | 4700 3819 61 |
| 4 | Lid | | 1 | 4700 3836 81 |
| 5 | Spring | 59 x 225 mm 2.32 x 8.86 in. | 2 | 4700 3808 95 |
| 6 | Spring | 81 x 225 mm 3.20 x 8.86 in. | 2 | 4700 3808 94 |
| 7 | Stop | | 1 | 4700 3808 99 |
| 8 | Piston rod | | 1 | 4700 3836 68 |
| 9 | Stop | | 1 | 4700 3809 02 |
| 10 | Hose clamp | | 2 | 4700 2836 31 |
| 11 | Screw | M8 x 40 mm 8.8 A2K | 2 | - |
| 12 | Bellows | | 1 | 4812 0705 41 |
| 13 | Screw | M8 x 20 mm 8.8 A2K | 12 | - |
| 14 | Bellows support | | 1 | 4700 3884 09 |
| 15 | Sight plug | | 1 | 4700 7913 95 |
| 16 | Gasket | | 1 | 4700 3836 66 |
| 17 | Inner tube | | 1 | 4700 3836 69 |
| 18 | Handle | | 1 | 4700 3844 16 |
| 19 | Plug | | 1 | 4700 9049 51 |
| 20 | O-ring | 129.5 x 3 mm 5.10 x 0.12 in. (70 shore) | 1 | 4700 1600 54 |
| 21 | Lid | | 1 | 4700 3823 69 |
| 22 | Seal ring | | 6 | 4700 1620 09 |
| 23 | Nut | M8 x 1.25 mm A2K | 2 | - |
| 24 | Fiber washer | 27 x 32 x 2 mm 1.06 x 1.26 x 0.08 in. | 1 | 4700 7913 76 |

Foot 280 mm (11 in.)

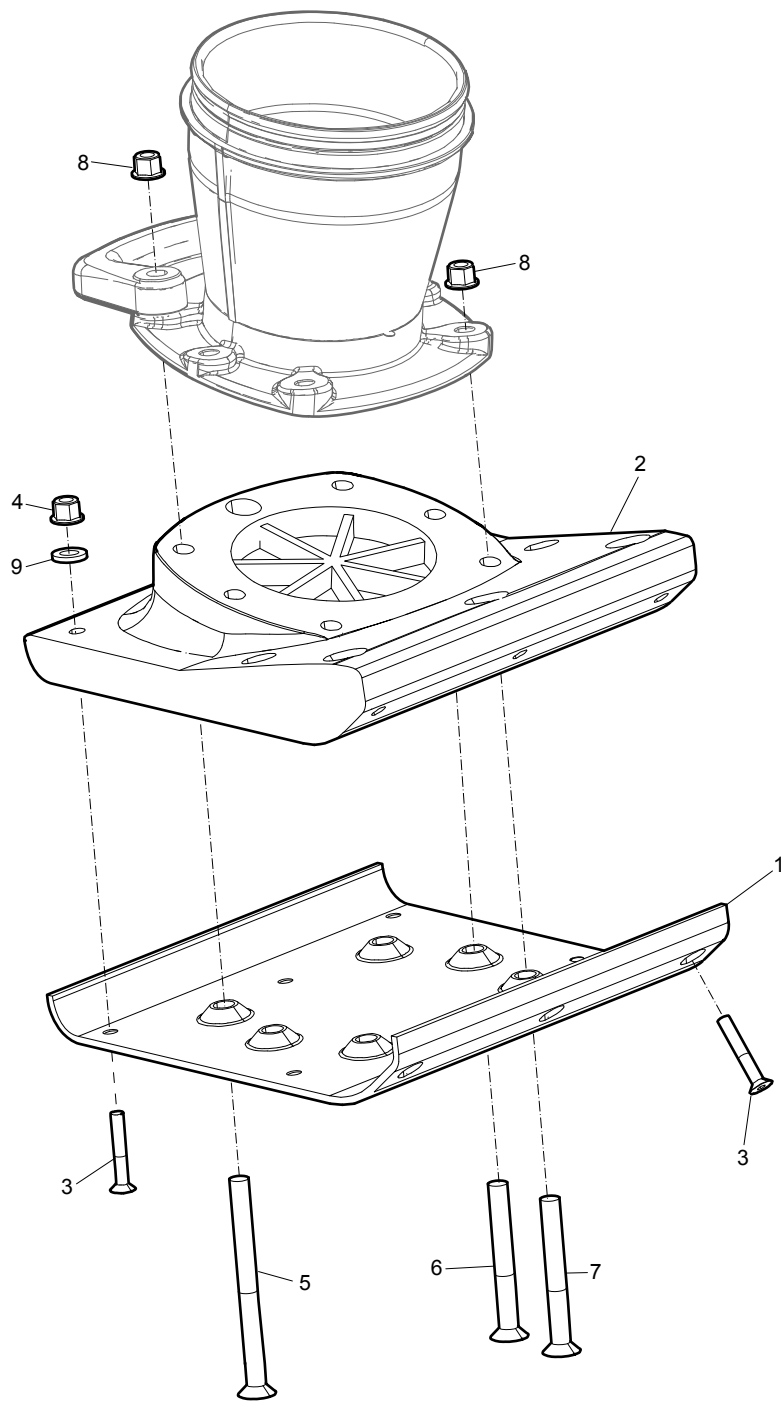


| No. | Description | Remark | Quantity | Part number |
|-----|--------------|---|----------|--------------|
| 1 | Ground plate | 280 mm 11 in. | 1 | 4700 3823 71 |
| 2 | Foot | 280 mm 11 in. | 1 | 4700 3823 66 |
| 3 | Screw | M8 x 50 mm 8.8 NYLOK BLUE PATCH™ (Known as TUF-LOK® in Europe) | 8 | 4700 7913 31 |
| 4 | Nut | M8 x 1.25 mm A2K | 8 | - |
| 5 | Screw | M12 x 150 mm 10.9 GEOMET® | 2 | 4700 7913 39 |
| 6 | Screw | M12 x 100 mm 10.9 GEOMET® | 2 | 4700 7910 85 |
| 7 | Screw | M12 x 110 mm 10.9 GEOMET® | 2 | 4700 7913 37 |
| 8 | Nut | M12 x 1.75 mm A3K | 6 | - |
| 9 | Washer | 8.4 x 22 x 3 mm 0.33 x 0.87 x 0.12 in. HV300 | 8 | - |

NYLOK BLUE PATCH is a trademark of Nylok Corporation. TUF-LOK is a registered trademark of Nylok Corporation in Europe.

GEOMET is a registered trademark of Nof Metal Coatings North America Inc.

Foot 330 mm (13 in.)

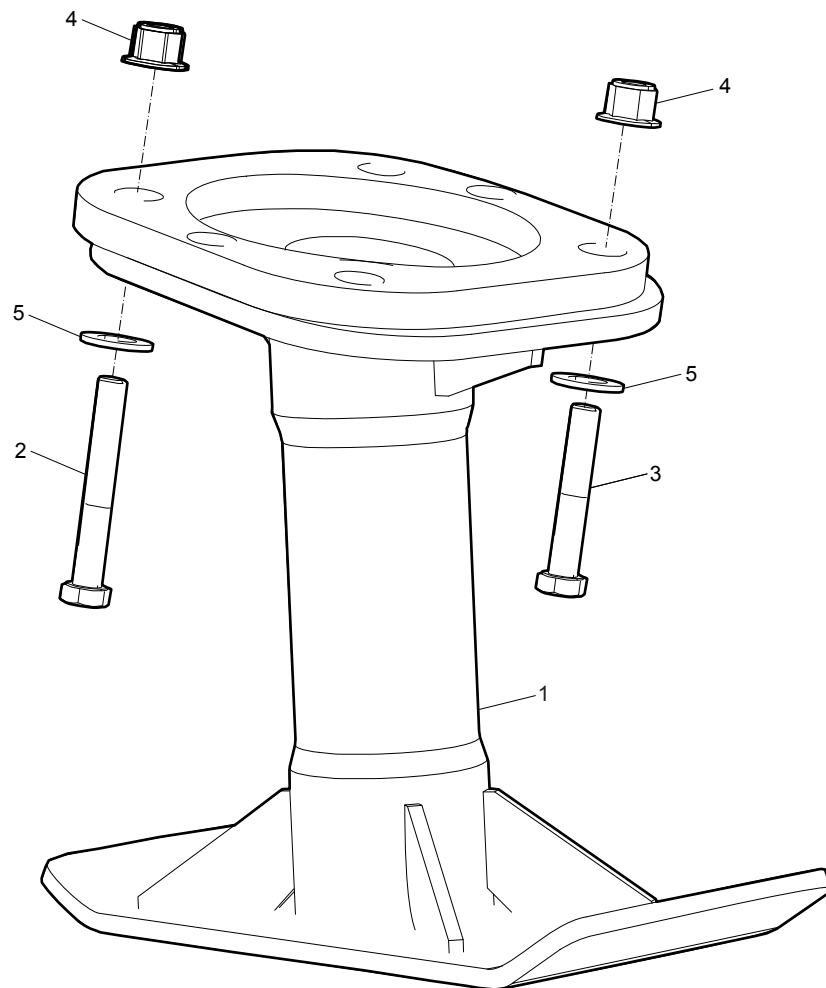


| No. | Description | Remark | Quantity | Part number |
|-----|--------------|---|----------|--------------|
| 1 | Ground plate | 280 mm 11 in. | 1 | 4700 3823 71 |
| 2 | Foot | 280 mm 11 in. | 1 | 4700 3823 66 |
| 3 | Screw | M8 x 50 mm 8.8 NYLOK BLUE PATCH™ (Known as TUF-LOK® in Europe) | 8 | 4700 7913 31 |
| 4 | Nut | M8 x 1.25 mm A2K | 8 | - |
| 5 | Screw | M12 x 150 mm 10.9 GEOMET® | 2 | 4700 7913 39 |
| 6 | Screw | M12 x 100 mm 10.9 GEOMET® | 2 | 4700 7910 85 |
| 7 | Screw | M12 x 110 mm 10.9 GEOMET® | 2 | 4700 7913 37 |
| 8 | Nut | M12 x 1.75 mm A3K | 6 | - |
| 9 | Washer | 8.4 x 22 x 3 mm 0.33 x 0.87 x 0.12 in. HV300 | 8 | - |

NYLOK BLUE PATCH is a trademark of Nylok Corporation. TUF-LOK is a registered trademark of Nylok Corporation in Europe.

GEOMET is a registered trademark of Nof Metal Coatings North America Inc.

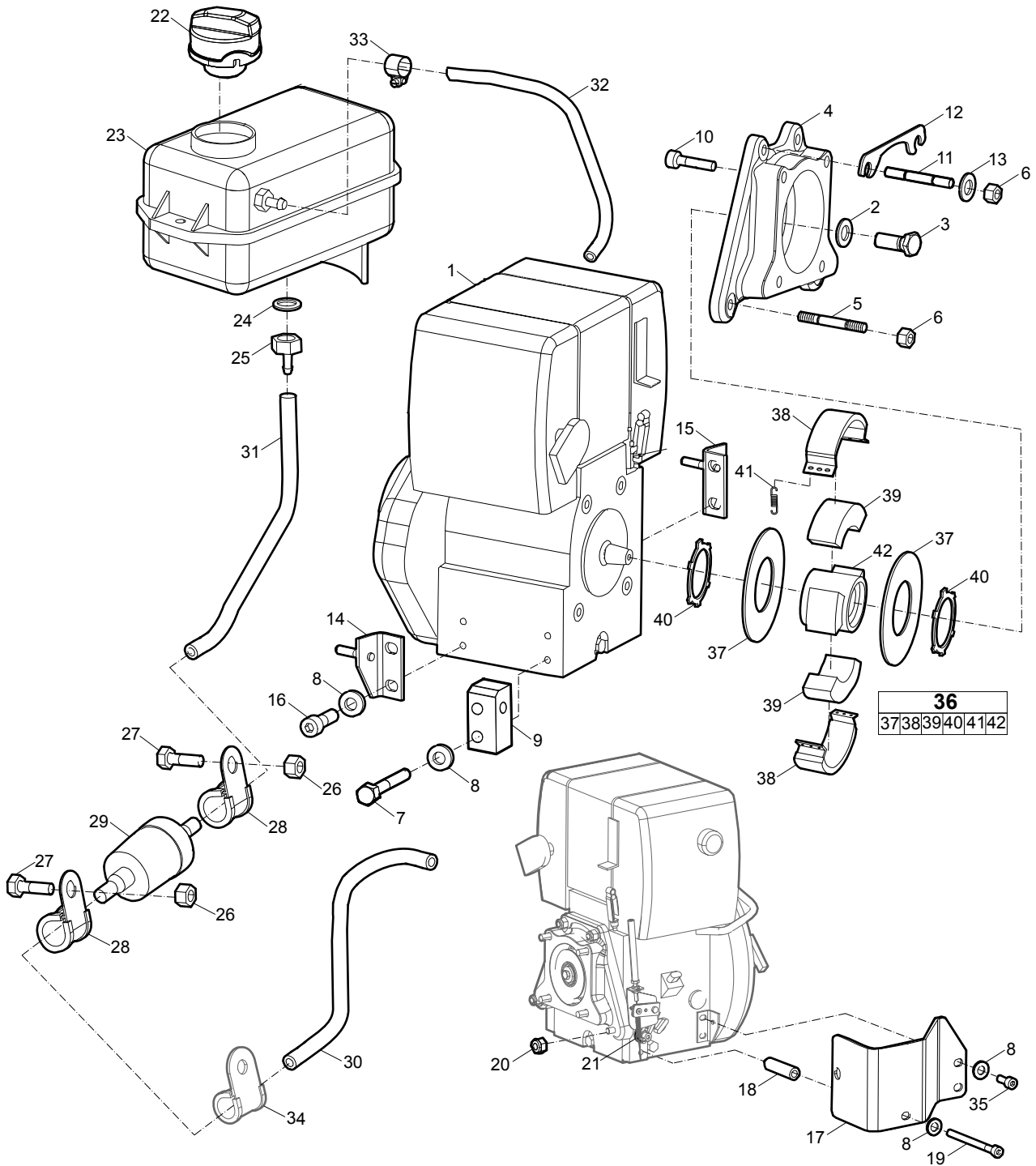
Extended foot



| No. | Description | Remark | Quantity | Part number |
|-----|---------------|---|----------|--------------|
| 1 | Extended foot | | 1 | 4700 3899 80 |
| 2 | Screw | M12 x 90 mm 10.9 GEOMET® | 2 | 4700 9281 98 |
| 3 | Screw | M12 x 70 mm 10.9 GEOMET® | 4 | 4700 9037 35 |
| 4 | Nut | M12 x 1.75 mm A3K | 6 | - |
| 5 | Washer | 13 x 24 x 2 mm 0.51 x 0.98 x 0.08 in. 300 HV | 6 | - |

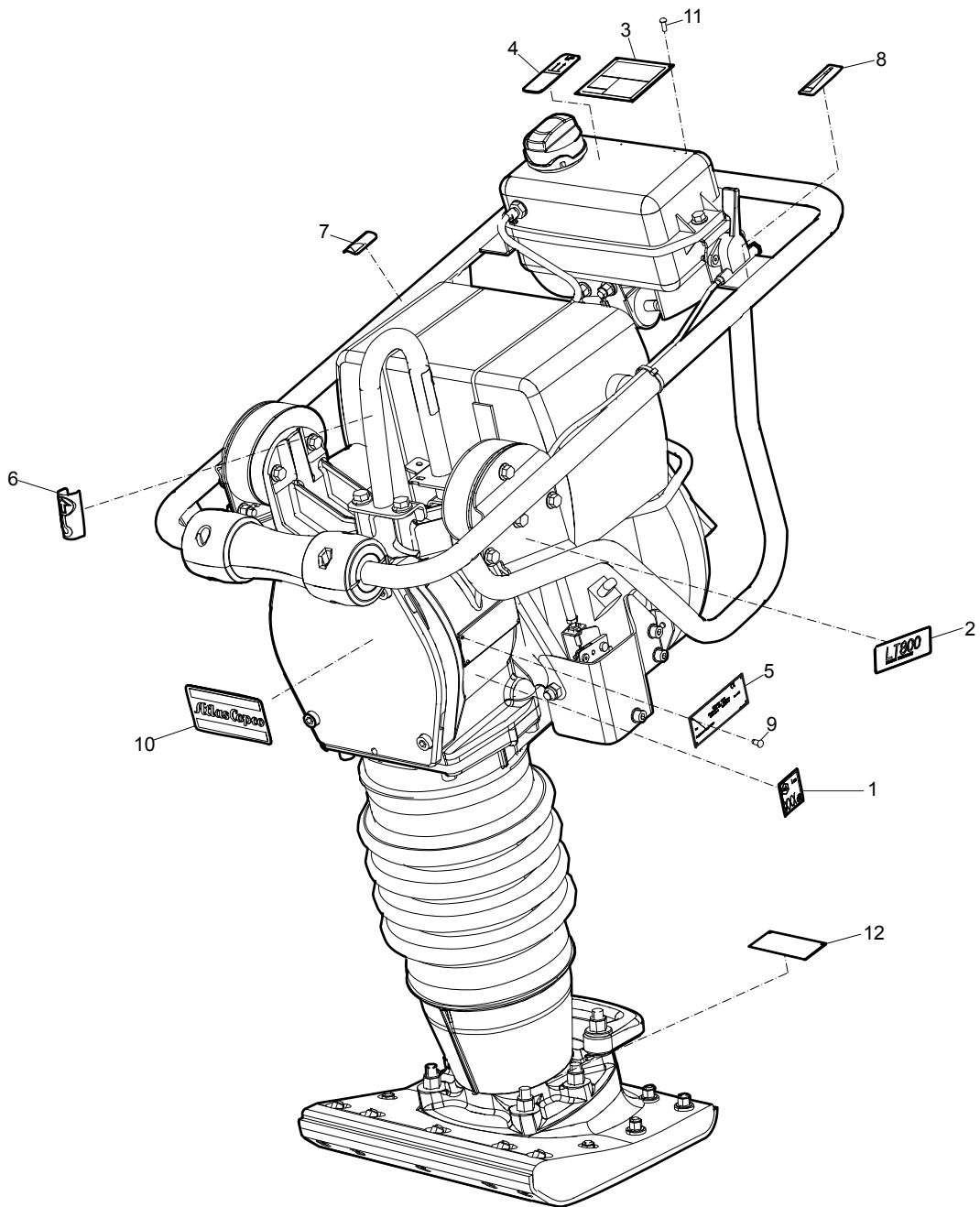
GEOMET is a registered trademark of Nof Metal Coatings North America Inc.

Engine installation



| No. | Description | Remark | Quantity | Part number |
|------------------|-------------------------------------|--|----------|--------------|
| 1 | Engine | Hatz 1B20 Rammer version | 1 | 4700 3938 35 |
| 2 | Washer | 8.4 x 26 x 4 mm 0.33 x 1.02 x 0.16 in. 300 HV | 1 | - |
| 3 | Screw | M8 x 25 mm 8.8 A2K | 1 | - |
| 4 | Adapter | | 1 | 4700 3878 83 |
| 5 | Stud | M10 x 60 mm | 2 | 4700 3874 44 |
| 6 | Lock nut | M10 ISO7040 | 3 | 4700 5860 18 |
| 7 | Screw | M8 x 40 mm 8.8 A2K | 2 | - |
| 8 | Washer | 8.4 x 16 x 1.5 mm 0.33 x 0.63 x 0.06 in. 300 HV | 8 | - |
| 9 | Bracket | | 2 | 4700 3823 63 |
| 10 | Screw | M10 x 45 mm 8.8 A3K | 4 | - |
| 11 | Stud | M10 x 53 mm | 2 | 4700 3874 43 |
| 12 | Support washer | | 1 | 4700 3877 27 |
| 13 | Washer | 10.5 x 22 x 2 mm 0.41 x 0.87 x 0.08 in. 300 HV | 1 | - |
| 14 | Bracket | Right | 1 | 4700 3883 74 |
| 15 | Bracket | Left | 1 | 4700 3883 73 |
| 16 | Screw | M8 x 20 mm 8.8 A2K | 4 | - |
| 17 | Cover | | 1 | 4700 3905 58 |
| 18 | Spacer | | 1 | 4700 3938 26 |
| 19 | Screw | M8 x 100 mm 8.8 A2K | 1 | - |
| 20 | Lock nut | M10 DIN985 | 1 | 4700 7911 72 |
| 21 | Washer | 8.4 x 25 x 2 mm 0.33 x 0.98 x 0.12 in | 1 | - |
| 22 | Filler cap | | 1 | 4700 9503 07 |
| 23 | Fuel tank | | 1 | 3382 0105 42 |
| 24 | Fibre washer | 17 x 23 x 1.5 mm 0.67 x 0.91 x 0.06 in. | 1 | - |
| 25 | Nipple | | 1 | 4700 3858 39 |
| 26 | Lock nut | M8 x 1.25 mm A2K | 2 | - |
| 27 | Screw | M8 x 20 mm 8.8 A2K | 2 | - |
| 28 | Pipe clamp | 45 x 10.4 x 25 mm 1.77 x 0.41 x 0.98 in. | 2 | 4700 9211 19 |
| 29 | Fuel filter | | 1 | 4700 9374 30 |
| 30 | Fuel hose | 12 x 35 mm 0.47 x 1.38 in. | 1 | 4700 9457 78 |
| 31 | Fuel hose | 12 x 460 mm 0.47 x 18.11 in | 1 | 4700 9502 41 |
| 32 | Fuel hose | 10 x 240 mm 0.39 x 9.45 in | 1 | 4700 9457 80 |
| 33 | Hose clamp | | 1 | 4700 9043 94 |
| 34 | Hose calmp | Supplied with engine | 1 | - |
| 35 | Screw | M8 x 20 mm 8.8 A2K | 2 | - |
| 36(37-42) | Centrifugal clutch, complete | | 1 | 4700 3819 62 |
| 37 | Cover | | 2 | 4700 2398 20 |
| 38 | Clutch lining | | 2 | 4700 9382 89 |
| 39 | Centrifugal weight | | 2 | - |
| 40 | Retaining ring | | 2 | 4700 2397 34 |
| 41 | Spring | | 2 | 4700 9379 54 |
| 42 | Hub | | 1 | - |

Labels



| No. | Description | Remark | Quantity | Part number |
|-----|---------------|--|----------|--------------|
| 1 | Label | Sound power level | 1 | - |
| 2 | Product label | "LT 800" | 2 | 3382 0105 43 |
| 3 | Safety label | Ear protection, read instruction manual and diesel | 1 | 4700 3862 25 |
| 4 | Label | Keep upright | 1 | 4700 9049 77 |
| 5 | Data plate | | 1 | - |
| 6 | Label | Lifting point | 2 | 4700 3575 87 |
| 7 | Safety label | Hot surfaces | 1 | 4700 9043 66 |
| 8 | Label | Throttle indication | 1 | 4700 3858 77 |
| 9 | Screw | 2 x 5 mm KDS | 4 | - |
| 10 | Product label | "Atlas Copco" | 1 | 3382 0100 38 |
| 11 | Screw | K22 x 6 mm KX-PT | 4 | - |
| 12 | Safety label | Compressed spring package | 1 | 4700 7910 88 |

Kits

One year service kit

One year service kit

Part number 4812 1555 61

| Description | Remark | Quantity | Part number |
|-----------------|-----------------|----------|--------------|
| Air filter | | 5 | 4700 9381 50 |
| Oil plug gasket | | 1 | 4700 9370 03 |
| Starter rope | | 1 | 4700 9369 89 |
| Fuel filter | | 5 | 4700 9378 73 |
| Gasket | For valve cover | 1 | 4700 9397 68 |

Shock absorber repair kit

| Description | Remark | Quantity | Part number |
|----------------------------------|--------------------|----------|--------------|
| Shock absorber repair kit | | 1 | 4812 1552 81 |
| Nut | M8 x 1.25 mm A2K | 8 | - |
| Screw | M8 x 20 mm 8.8 A2K | 4 | - |
| Screw | M8 x 25 mm 8.8 A2K | 4 | - |
| Shock absorber | | 2 | 4700 3867 85 |
| Cylindrical pin | | 4 | 4700 7913 23 |

Transmission repair kit

| Description | Remark | Quantity | Part number |
|--------------------------------|---|----------|--------------|
| Transmission repair kit | | 1 | 4812 1552 83 |
| Needle roller bearing | | 1 | 4700 9049 50 |
| Deep groove ball bearing | | 1 | 4700 1110 78 |
| Retaining ring for shaft | | 1 | 4700 1500 09 |
| Needle roller bearing | | 1 | 4700 9049 49 |
| Retaining ring for shaft | | 2 | 4700 1500 14 |
| Deep groove ball bearing | | 2 | 4700 9035 20 |
| Retaining ring for hole | | 2 | 4700 1510 25 |
| Radial lip-type seal | | 1 | 4700 9049 52 |
| Nut | M12 x 1.25 mm A3K | 1 | - |
| O-ring | 210 x 3 mm 8.27 x 0.12 in. (70 shore) | 1 | 4700 1601 06 |
| Screw | M10 x 25 mm 8.8 A3K | 4 | - |
| O-ring | 104.5 x 3 mm 4.11 x 0.12 in. (70 shore) | 1 | 4700 1600 35 |
| Washer | 10.5 x 22 x 2 mm 0.41 x 0.87 x 0.08 in. 300 HV | 4 | - |
| Screw | M10 x 35 mm 8.8 A3K | 4 | - |
| Washer | 8.4 x 26 x 3 mm 0.33 x 1.02 x 0.12 in. | 1 | - |
| Screw | M8 x 25 mm 8.8 A2K | 1 | - |

Spring unit repair kit

| Description | Remark | Quantity | Part number |
|-------------------------------|--|----------|--------------|
| Spring unit repair kit | | 1 | 4812 1552 84 |
| Spring | | 2 | 4700 3808 95 |
| Spring | | 2 | 4700 3808 94 |
| Stop | | 1 | 4700 3808 99 |
| Stop | | 1 | 4700 3809 02 |
| Screw | M8 x 20 mm 8.8 A2K | 6 | - |
| Gasket | | 1 | 4700 3836 66 |
| O-ring | 129.5 x 3 mm 5.10 x 0.12 in. (70 shore) | 1 | 4700 1600 54 |
| Washer | 8.7 x 14 x 1 mm 0.32 x 0.04 in. Type A | 6 | - |
| Fibre washer | 27 x 32 x 2 mm 1.06 x 1.26 x 0.08 in. | 1 | - |

Foot 280 mm (11 in.) repair kit

| Description | Remark | Quantity | Part number |
|--|---|----------|--------------|
| Foot 280 mm (11 in.) repair kit | | 1 | 4700 9391 83 |
| Ground plate | 280 mm 11 in. | 1 | 4700 3823 71 |
| Foot | 280 mm 11 in. | 1 | 4700 3823 66 |
| Screw | M8 x 50 mm 8.8 NYLOK BLUE PATCH™ (Known as TUF-LOK® in Europe) | 8 | 4700 7913 31 |
| Nut | M8 x 1.25 mm A2K | 8 | - |
| Screw | M12 x 150 mm 10.9 GEOMET® | 2 | 4700 7913 39 |
| Screw | M12 x 100 mm 10.9 GEOMET® | 2 | 4700 7910 85 |
| Screw | M12 x 110 mm 10.9 GEOMET® | 2 | 4700 7913 37 |
| Nut | M12 x 1.75 mm A3K | 8 | - |
| Washer | 8.4 x 22 x 3 mm 0.33 x 0.87 x 0.12 in. HV300 | 8 | - |

NYLOK BLUE PATCH is a trademark of Nylok Corporation. TUF-LOK is a registered trademark of Nylok Corporation in Europe.

GEOMET is a registered trademark of Nof Metal Coatings North America Inc.

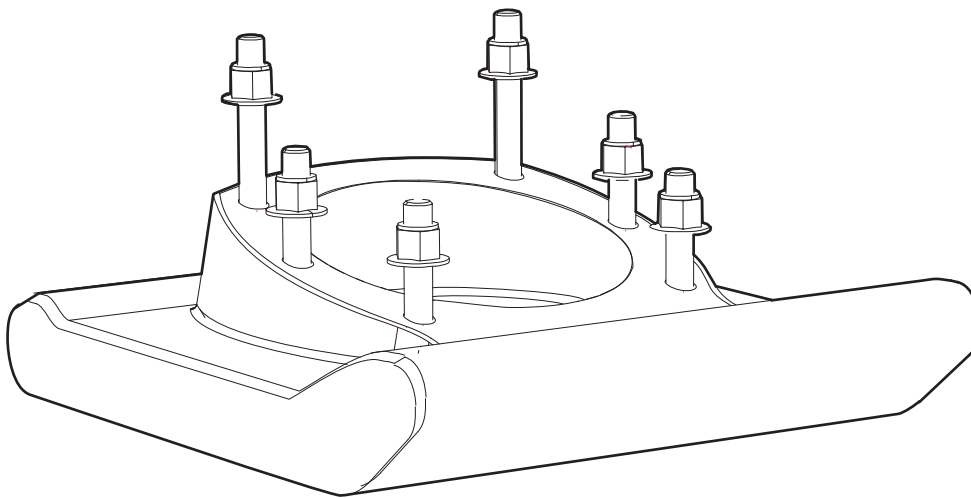
Foot 330 mm (13 in.) repair kit

| Description | Remark | Quantity | Part number |
|--|---|----------|--------------|
| Foot 330 mm (13 in.) repair kit | | 1 | 4700 9381 84 |
| Ground plate | 330 mm 13 in. | 1 | 4700 3829 82 |
| Foot | 330 mm 13 in. | 1 | 4700 3829 81 |
| Screw | M8 x 50 mm 8.8 NYLOK BLUE PATCH™ (Known as TUF-LOK® in Europe) | 14 | 4700 7913 31 |
| Nut | M8 x 1.25 mm A2K | 14 | - |
| Screw | M12 x 150 mm 10.9 GEOMET® | 2 | 4700 7913 39 |
| Screw | M12 x 100 mm 10.9 GEOMET® | 2 | 4700 7910 85 |
| Screw | M12 x 110 mm 10.9 GEOMET® | 2 | 4700 7913 37 |
| Nut | M12 x 1.75 mm A3K | 6 | - |
| Washer | 8.4 x 22 x 3 mm 0.33 x 0.87 x 0.12 in. HV300 | 14 | - |

NYLOK BLUE PATCH is a trademark of Nylok Corporation. TUF-LOK is a registered trademark of Nylok Corporation in Europe.

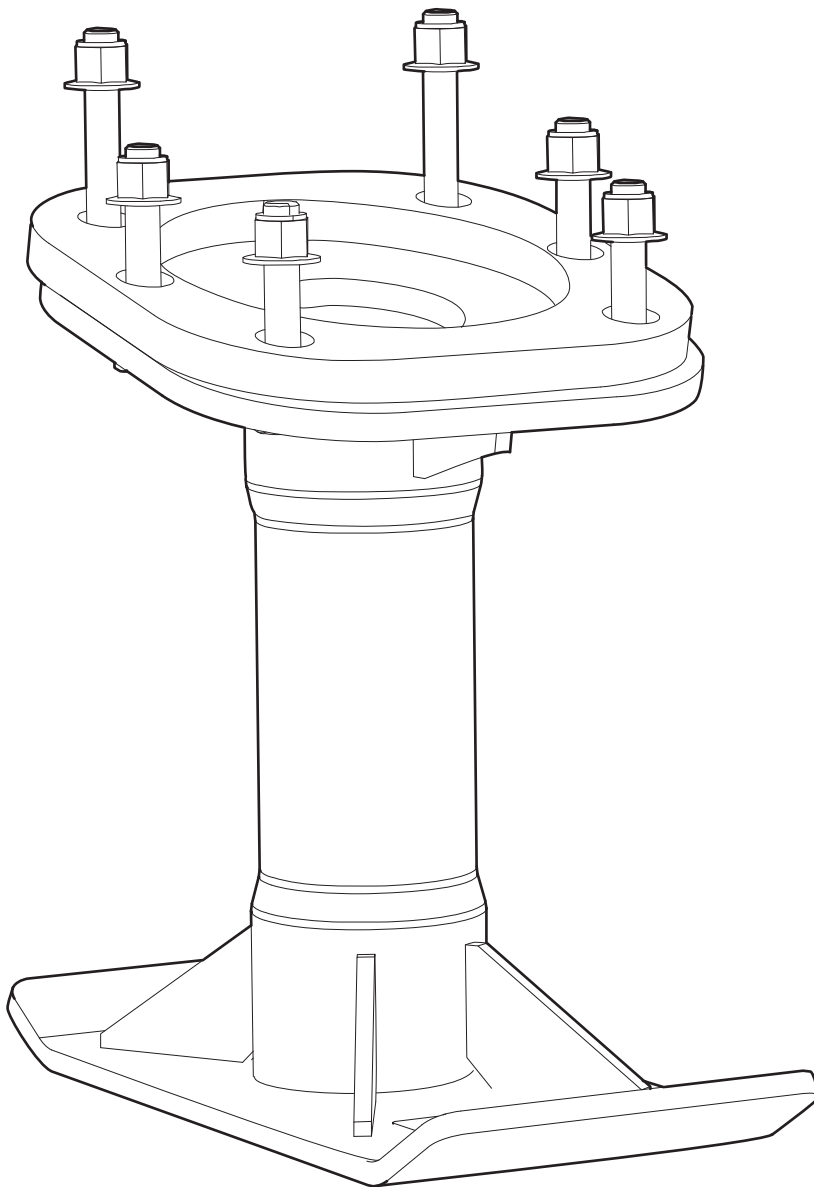
GEOMET is a registered trademark of Nof Metal Coatings North America Inc.

Silent foot 280 mm (11 in.) kit



| Description | Remark | Quantity | Part number |
|--|-------------------|----------|--------------|
| Silent foot 280 mm (11 in.) kit | | 1 | 3382 0106 65 |
| Foot | | 1 | - |
| Nut | M12 x 1.75 mm A3K | 6 | - |

Extended foot kit



| Description | Remark | Quantity | Part number |
|--------------------------|---|----------|--------------|
| Extended foot kit | | 1 | 4700 3771 28 |
| Foot | | 1 | - |
| Screw | M12 x 90 mm 10.9 GEOMET® | 2 | - |
| Screw | M12 x 70 mm 10.9 GEOMET® | 4 | - |
| Nut | M12 | 6 | - |
| Washer | 13 x 24 x 2 mm 0.51 x 0.98 x 0.08 in. 300 HV | 6 | - |
| Label | Direction | 1 | - |

GEOMET is a registered trademark of Nof Metal Coatings North America Inc.



Any unauthorized use or copying of the contents or any part thereof is prohibited.
This applies in particular to trademarks, model denominations, part numbers, and drawings.

© 2012 Atlas Copco Construction Tools AB | No. 9800 1140 01c | 2012-09-10

www.atlascopco.com